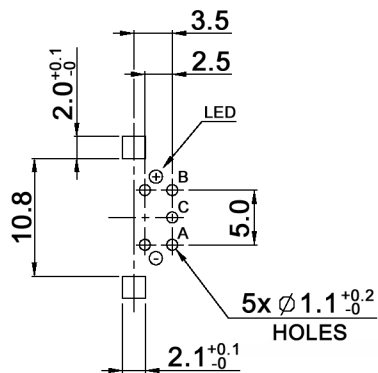


### OUTPUT SIGNAL FORMAT

Shaft rotational direction	Signal	Output
C.W.	Terminal A-C	OFF ON
	Terminal B-C	OFF ON
C.C.W.	Terminal A-C	OFF ON
	Terminal B-C	OFF ON

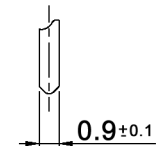
**P.C.B. MOUNTING DETAIL**  
(TOLERANCE ±0.1)  
VIEWED FROM MOUNTING SIDE  
t=1.6mm



### Specifications:

Contact rating: 0.5mA, 5V DC  
 Insulation resistance: 100MOhm min. at 250V DC  
 Dielectric strength: 300V AC for 1 minute  
 Operating temperature: -10°C to +70°C  
 Storage temperature: -40°C to +85°C  
 Resolution: 24 pulses / 360° for each phase  
 Rotationla torque: 50gf.cm max.  
 Rotational life: 30 000 cycles  
 Soldering conditions: 260 +/-5°C, 5 +/- 1sec.  
 Compliance: RohS II (2011/65/EU)

### TERMINAL DETAIL



Tolerances: ≤10: ±0.3mm 10-100: ±0.5mm	Date	Name
	09/15	dr
Rename	09/15	dr
Modifications	Date	Name

# MER12-24N224xx-R

**knitter-switch**

**30 34 15**

Page

1/2

LED CHARACTERISTIC:

LED color	Power dissipation (mW)	DC Forward current (mA)	Test conditions IF=20mA	
			Forward voltage (V)	
			typ.	max.
red	60	30	1.8	2.6
lawngreen	100	30	2.0	2.6
blue	72	20	3.2	3.6
orange	100	30	2.1	2.6
white	72	20	3.2	3.6
green	72	20	3.2	3.6

xx	LED color
RE	red
LG	lawngreen
BL	blue
OA	orange
WH	white
GN	green

Compliance: RohS II (2011/65/EU)

Tolerances: ≤10: ±0.3mm 10-100: ±0.5mm		Date	Name	<b>MER12-24N224xx-R</b>
		09/15	dr	
		<b>knitter-switch</b>		<b>30 34 15</b>
				Page
				2/2
Modifications	Date	Name		